

AC Single Phase Series Filters

AREL

Features & Applications

Effectively suppress the electromagnetic interference on line to line and line to ground

Highly efficient and cost-effective

Suitable for switching power supply, UPS, vending machines, embroidery machines, oscilloscopes, industrial computers, controllers and many other devices

Safety approval: **CE**

Reference standard: **UL** **US** **DVE** **ROHS**



Technical data

Rated Voltage	110/250VAC		Rated Current@40°C	3A - 20A
Test Voltage	line-line	1760VDC	Climatic Category	25/085/21
	line-ground	3000VDC(2s.)	Operating Frequency	50/60Hz

Tabulates

Part No.	Rated current @40°C	Leakage current 250VAC/50Hz @20°C	Electrical Schematics	Termination	
LC1.203	3A	<0.5mA	Fig.1	○	○
LC1.206	6A	<0.5mA	Fig.1	○	○
LC1.210	10A	<1.0mA	Fig.1	○	○
LC1.220	20A	<1.0mA	Fig.1	○	○

Other values are available on request.

Electrical schematics

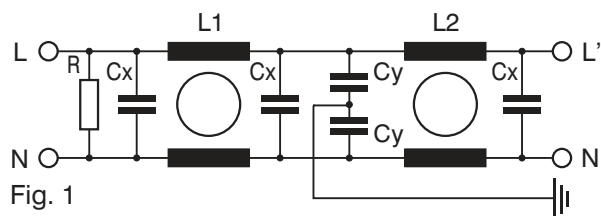


Fig. 1

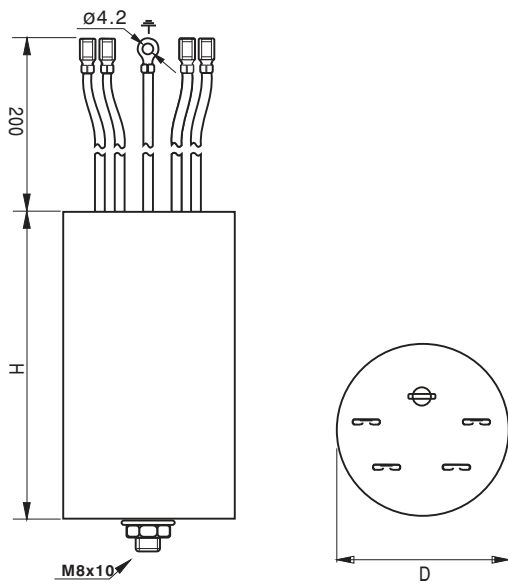
Part No.	Capacity Cx (μF)	Capacity Cy (pF)	Inductance L1/L2 (mH)	Resistors R (MΩ)	Dimensions Case DxH
LC1.203	0.22	2500	4.0	1.0	35x70
LC1.206	0.22	2500	1.0	1.0	35x70
LC1.210	0.22	4700	0.8	1.0	35x70
LC1.220	0.22	4700	0.25	1.0	40x70

AC Single Phase Series Filters

AREL



Dimensions (mm)



Insertion Loss (dB)

