


AC Single Phase Series Filters

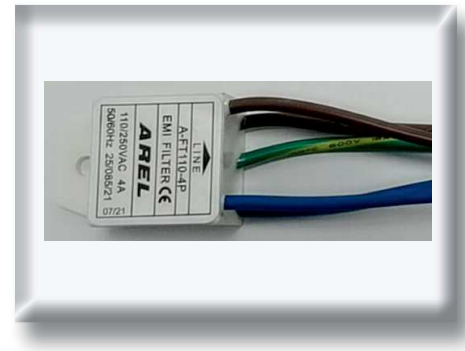
AREL

TECHNICAL DATA

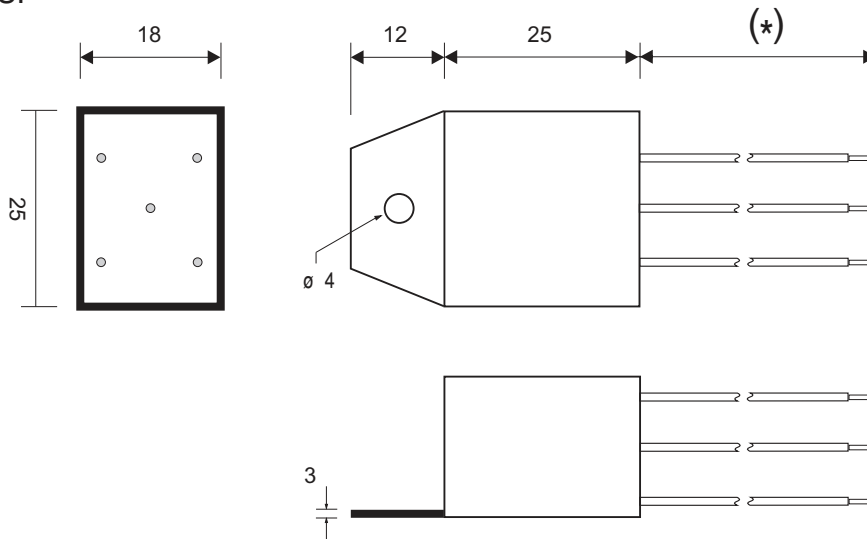
PART. NO: A-FT110-2P

Safety approval:   

Reference standard:   IEC 60939-2
IEC 60939-1 

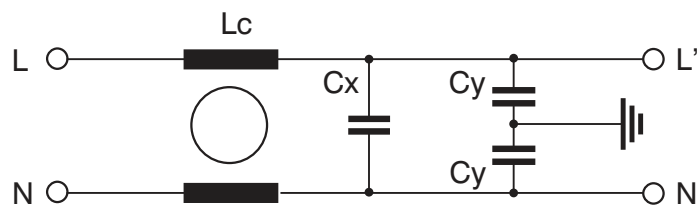


1. DIMENSIONS:



Tolerance: ± 1.0 Unit: mm

2. ELECTRICAL SCHEMATICS:



3. ELECTRICAL PARAMETER (Value @ 20°C):

Lc: 2x7.0mH (+50%-30%)

Cx: 1x0.1 μ F ($\pm 20\%$)

Cy: 2x2500pF ($\pm 20\%$)

R: --

AC Single Phase Series Filters

AREL

TECHNICAL DATA

PART. NO: A-FT110-2P

Safety approval:   

Reference standard:   IEC 60939-2
IEC 60939-1 



4. ELECTRICAL CHARACTERISTICS:

4.1. Rated voltage ----- 110/250VAC

4.2. Rated current ----- 2A@40°C

4.3. Rated frequency ----- 50/60Hz

4.4. Test voltage (1min):

A) N---L ----- 1760VDC

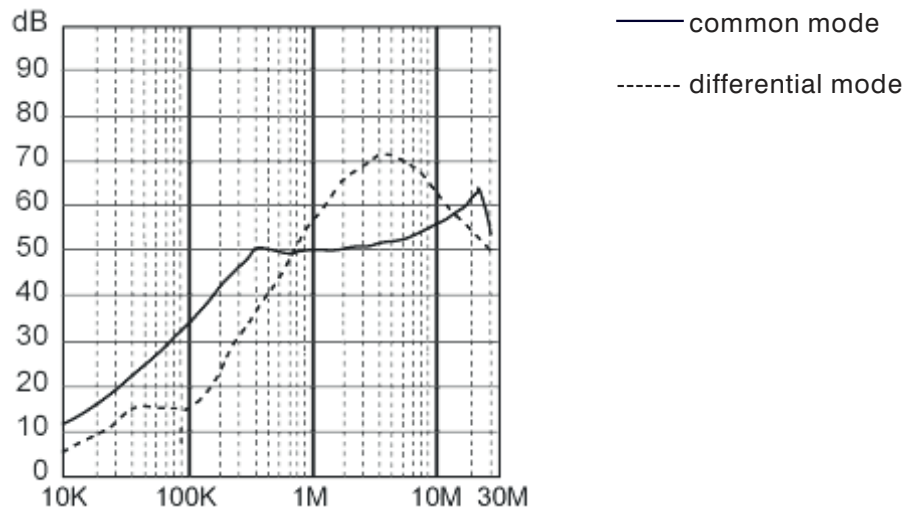
B) N, L — G ----- 2000VAC

(Voltage rise slowly as stated speed $\leq 150\text{V/S}$ from 0 voltage)

4.5. Insulation resistance ----- $>200\text{M}\Omega/500\text{VDC}$

4.6. Leakage current ----- $<0.6\text{mA}@250\text{VAC}/50\text{Hz}$ (It is tested on the condition of 20°C)

4.7. Insertion loss (dB): (It is tested on empty load and 50Ω)



4.8. Climatic category ----- 25/085/21

5. (*) CONNECTION:

LINE : awg 18 1015 brown 200 mm - 6mm stripped

awg 18 1015 blue 200 mm - 6mm stripped

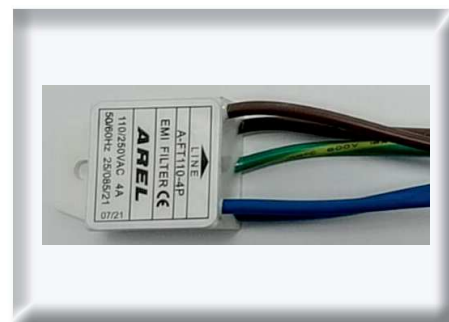
LOAD : awg 18 1015 brown 200 mm - 6mm stripped

awg 18 1015 blue 200 mm - 6mm stripped

GND: awg 18 1015 Y/G 200 mm - 6mm stripped

AC Single Phase Series Filters

AREL



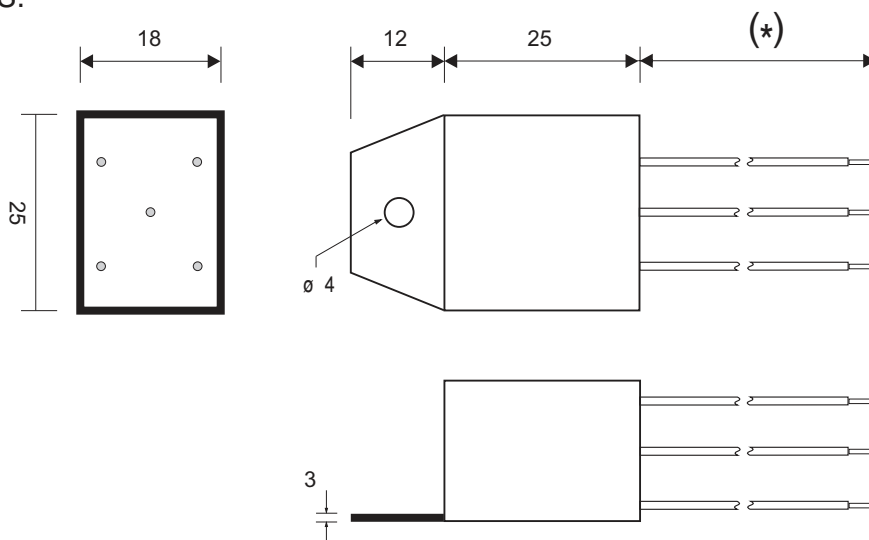
TECHNICAL DATA

PART. NO: A-FT110-4P

Safety approval:

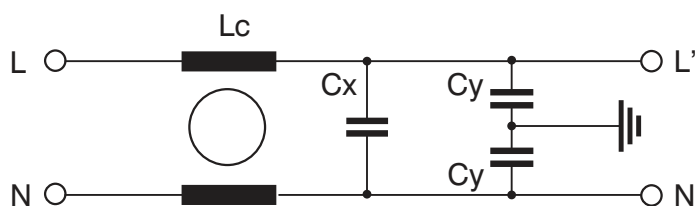
Reference standard: IEC 60939-2 IEC 60939-1

1. DIMENSIONS:



Tolerance: ± 1.0 Unit: mm

2. ELECTRICAL SCHEMATICS:



3. ELECTRICAL PARAMETER (Value @ 20°C):

Lc: 2x2.0mH (+50%-30%)

Cx: 1x0.1 μ F ($\pm 20\%$)

Cy: 2x2200pF ($\pm 20\%$)

R: --

AC Single Phase Series Filters

AREL

TECHNICAL DATA

PART. NO: A-FT110-4P

Safety approval:   

Reference standard:   IEC 60939-2
IEC 60939-1 



4. ELECTRICAL CHARACTERISTICS:

4.1. Rated voltage ----- 110/250VAC

4.2. Rated current ----- 4A@40°C

4.3. Rated frequency ----- 50/60Hz

4.4. Test voltage (1min):

A) N---L ----- 1760VDC

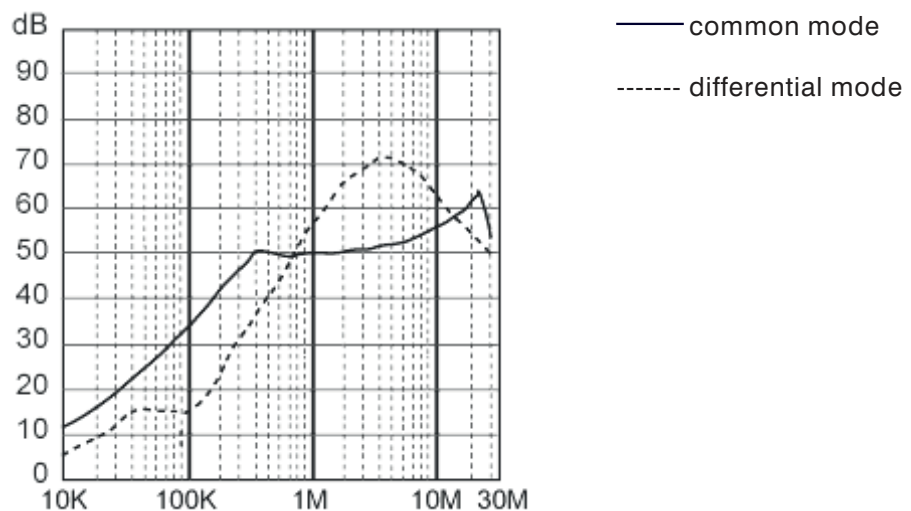
B) N, L — G ----- 2000VAC

(Voltage rise slowly as stated speed $\leq 150V/S$ from 0 voltage)

4.5. Insulation resistance ----- $>200M\Omega/500VDC$

4.6. Leakage current ----- $<0.6mA@250VAC/50Hz$ (It is tested on the condition of 20°C)

4.7. Insertion loss (dB): (It is tested on empty load and 50Ω)



4.8. Climatic category ----- 25/085/21

5. (*) CONNECTION:

LINE : awg 18 1015 brown 200 mm - 6mm stripped

awg 18 1015 blue 200 mm - 6mm stripped

LOAD : awg 18 1015 brown 200 mm - 6mm stripped

awg 18 1015 blue 200 mm - 6mm stripped

GND: awg 18 1015 Y/G 200 mm - 6mm stripped

AC Single Phase Series Filters

AREL

TECHNICAL DATA

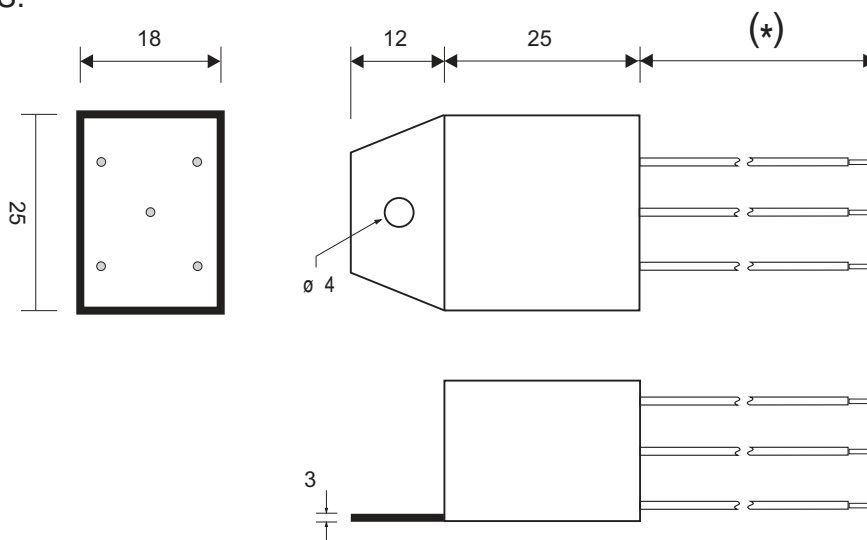
PART. NO: A-FT110-6.5P

Safety approval:   

Reference standard:   IEC 60939-2
IEC 60939-1 

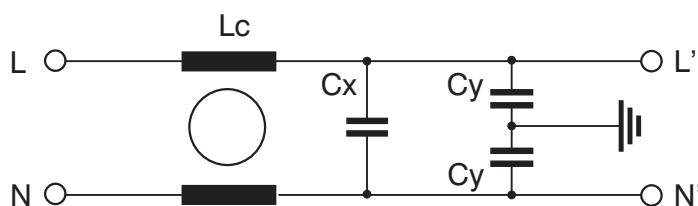


1. DIMENSIONS:



Tolerance: ± 1.0 Unit: mm

2. ELECTRICAL SCHEMATICS:



3. ELECTRICAL PARAMETER (Value @ 20°C):

Lc: 2x1.0mH (+50%-30%)

Cx: 1x0.1 μ F ($\pm 20\%$)

Cy: 2x2500pF ($\pm 20\%$)

R: --

AC Single Phase Series Filters

AREL

TECHNICAL DATA

PART. NO: A-FT110-6.5P

Safety approval:   

Reference standard:   IEC 60939-2
IEC 60939-1 



4. ELECTRICAL CHARACTERISTICS:

4.1. Rated voltage ----- 110/250VAC

4.2. Rated current ----- 6.5A@40°C

4.3. Rated frequency ----- 50/60Hz

4.4. Test voltage (1min):

A) N---L ----- 1760VDC

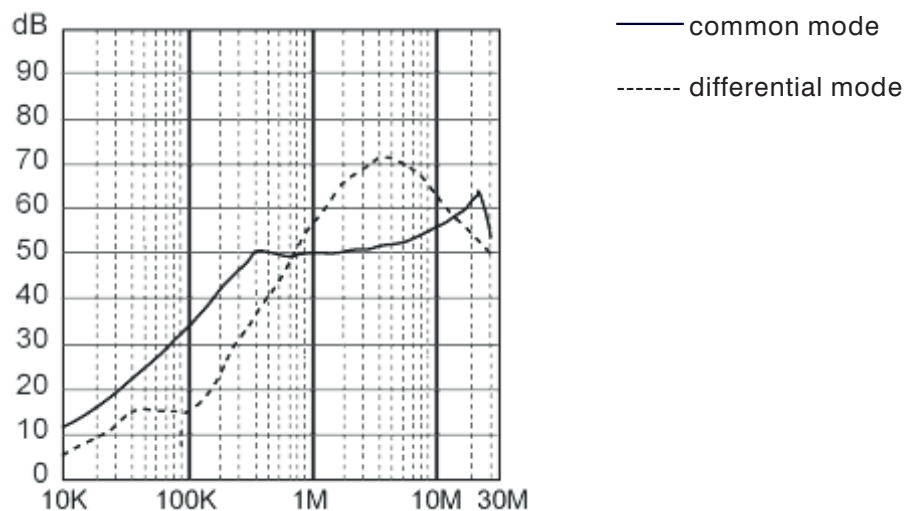
B) N, L — G ----- 2000VAC

(Voltage rise slowly as stated speed $\leq 150V/S$ from 0 voltage)

4.5. Insulation resistance ----- $>200M\Omega/500VDC$

4.6. Leakage current ----- $<0.6mA@250VAC/50Hz$ (It is tested on the condition of 20°C)

4.7. Insertion loss (dB): (It is tested on empty load and 50Ω)



4.8. Climatic category ----- 25/085/21

5. (*) CONNECTION:

LINE : awg 18 1015 brown 200 mm - 6mm stripped

awg 18 1015 blue 200 mm - 6mm stripped

LOAD : awg 18 1015 brown 200 mm - 6mm stripped

awg 18 1015 blue 200 mm - 6mm stripped

GND: awg 18 1015 Y/G 200 mm - 6mm stripped